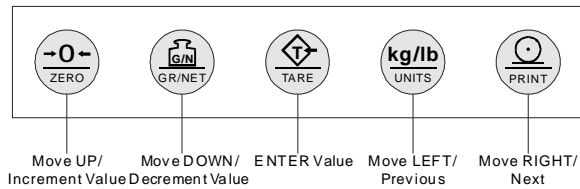


Stainless Steel



Keyboard Figure



DESCRIPTION:

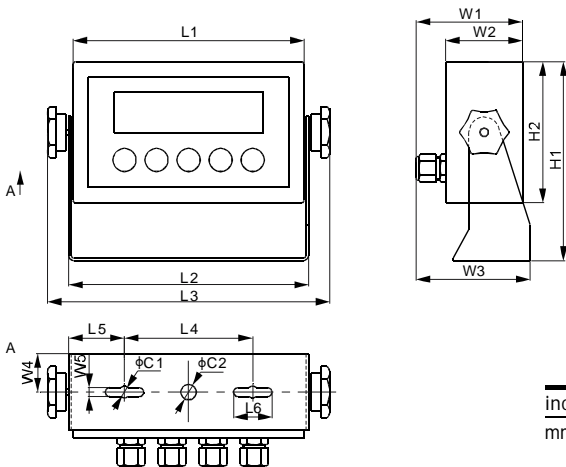
- Parameter setting and calibration are performed at the front panel.
- Drives up to eight 350Ω or sixteen 700Ω load cells
- "Labrador" software operation in computer for parameter setting & calibration
- Auto zero scale can be selected when switching on Indicator
- Auto zero tracking
- Unit exchange between kg & lb on front panel
- Improper operation and fault indication
- NORMAL WEIGHING mode, PEAK mode and COUNT mode functions
- 2 way relay signal output
- ZERO SCALE, TARE mode, GROSS/NET weight selections
- Equipped with RS232C & 485 connecting port with options for DATA TRANSMITTED CONTINUOUSLY and DATA TRANSMITTED upon request
- IP66 stainless steel wash down enclosure
- Print functions with programmable print format
- Built-in clock

SPECIFICATIONS

Display		6 digits 0.8 inch LED display
Division		1; 2; 5; 10
Tare range		100% of Cn
Max. Number of load cells		8 × 350Ω or 16 × 700Ω
Max. power consumption	VA	6
Fusible-link fuse (slow blow)	A	1
Communicate interface		RS-232C; RS-485
Print interface		Serial interface, contact with printer
Working-humidity		≤ 90% RH
Working-temperature	°C/°F	0 to 40 / 32 to 104
Outline	mm	220 × 65 × 155
Weight (G), approx.	kg/lb	2.3 / 5.1
Power supply		Powerdy by AC Adapter

APPLICATION:

The 805TS digital indicator is a general purpose weight indicator having high accuracy, high reliability, anti-jamming and multi-functions with source of signal coming from load cells, which adopted the A/D conversion technology of 24-bit microprocessor and the rate of conversion is up to 200 per second. The indicator is suitable for use in seafood, food, medicament and field factory. It is also a perfect choice for platform scales and baggage scales.



DIMENSIONS

	C1	C2	H1	H2	L1	L2	L3	L4	L5	L6	W1	W2	W3	W4	W5
inches	0.4	0.5	6.1	4.3	7.1	7.4	8.7	3.9	1.7	1.2	3.5	2.6	3.7	1.2	0.3
mm	9	12	155	110	180	187	220	100	43.5	30	88	65	94	30	7